

REV.	DESCRIPTION	NAME	DATE
-			

A

A

B

B

C

C

D

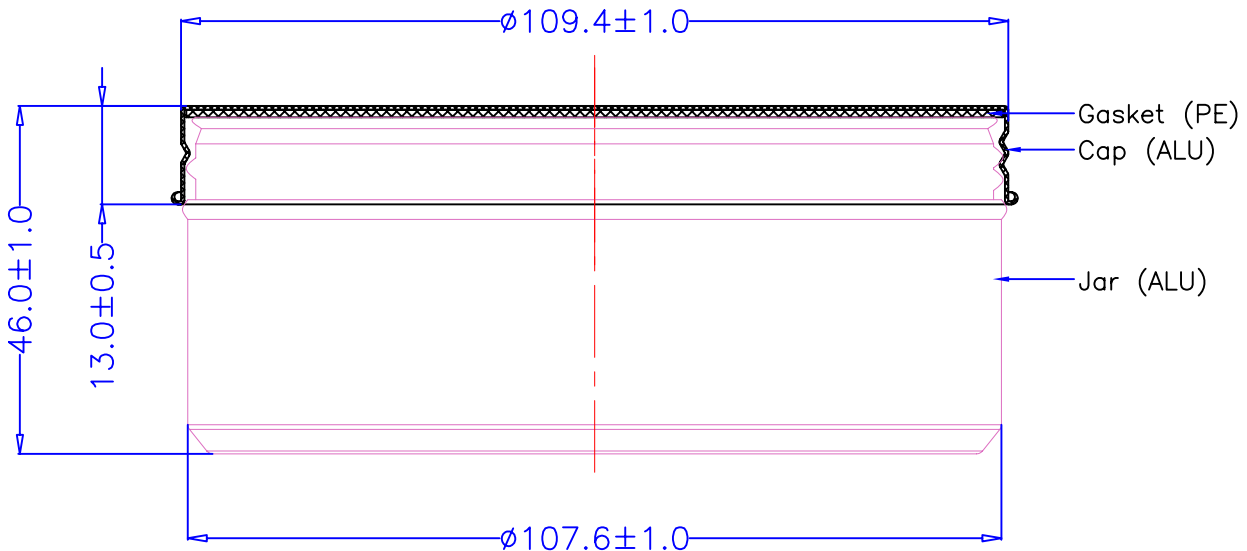
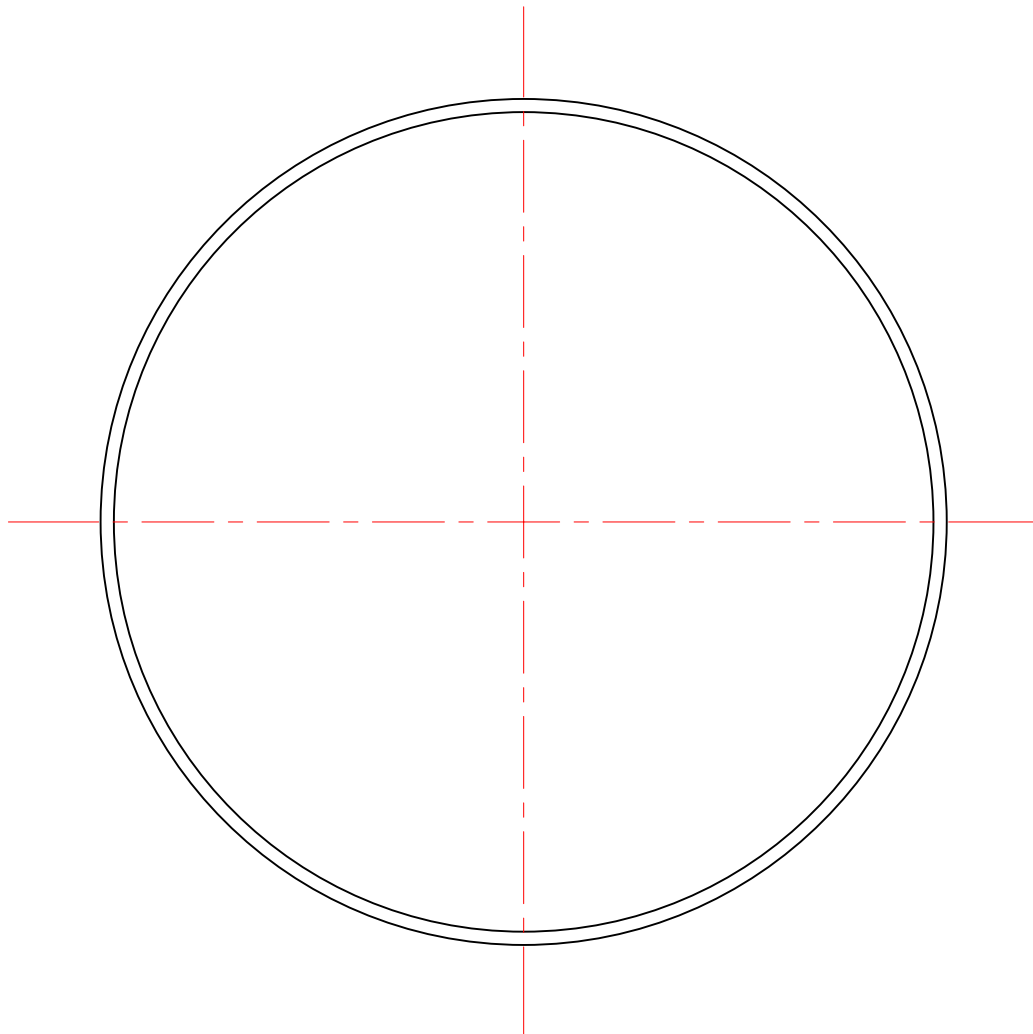
D

E

E

F

F



Material		P/No.					
General Tolerance		P/N	350g Aluminum Container				
X. ± 0.25	X.' ± 0.5°	Checked	—	D/No.		Date	2025-5-16
.X ± 0.2	.X' ± 0.1°	Approved	—	Unite:	mm	Scale	Page
.XX ± 0.15	.XX' ± 0.05°	Design	—	View:			Version
.XXX ± 0.1	.XXX' ± 0.01°						1/1
							A

1

2

3

4