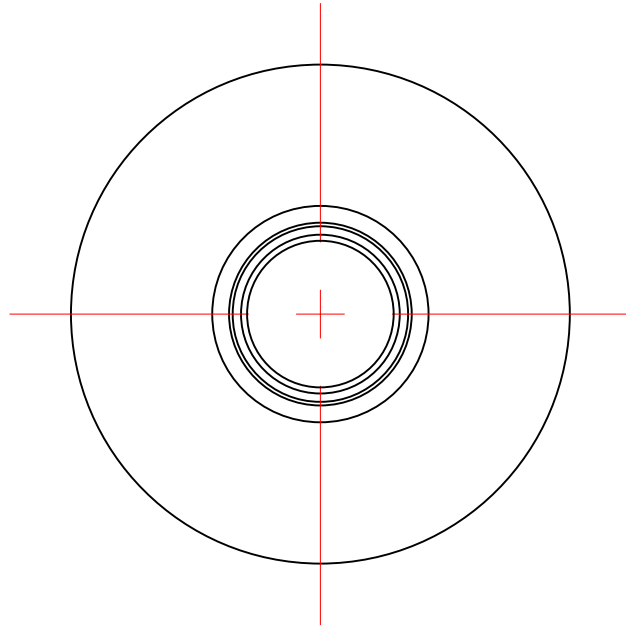
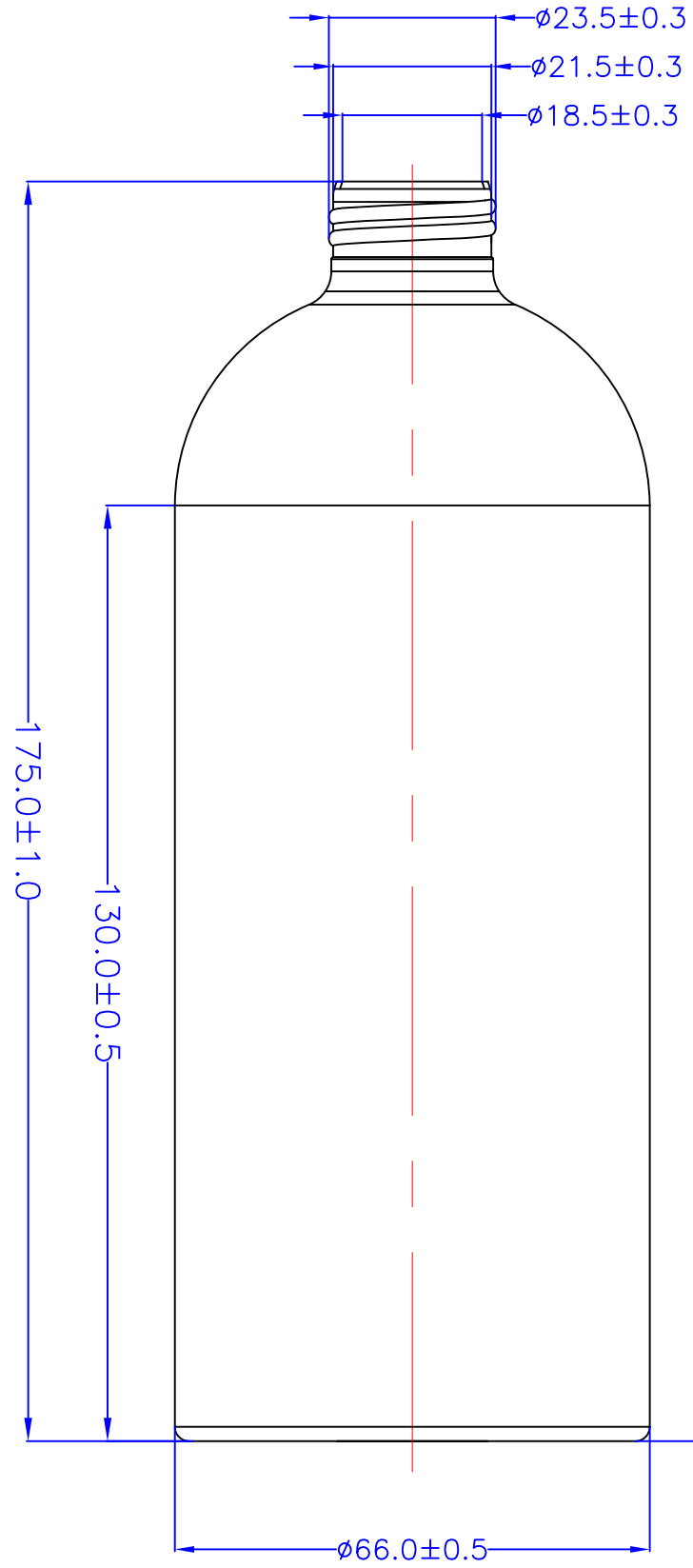


REV.	DESCRIPTION	NAME	DATE
-			



Material	Alu.	P/No.	500ml ALU Bottle		
General Tolerance		P/N			
$X \pm 0.25$	$X^\circ \pm 0.5^\circ$	Checked	—	D/No.	Date 2023-8-4
$.X \pm 0.2$	$.X^\circ \pm 0.1^\circ$	Approved	—	Unite: mm	Scale
$.XX \pm 0.15$	$.XX^\circ \pm 0.05^\circ$	Design	—	View:	Page 1/1
$.XXX \pm 0.1$	$.XXX^\circ \pm 0.01^\circ$				Version A