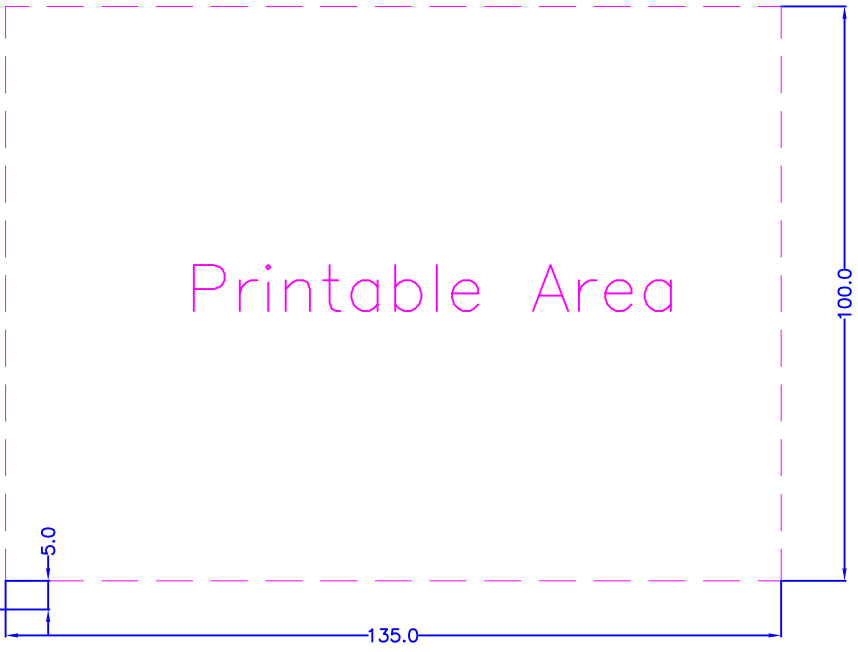
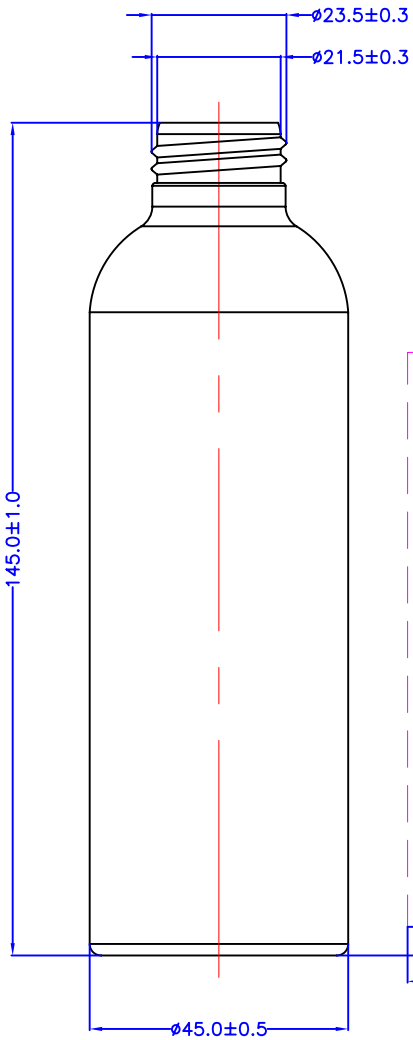
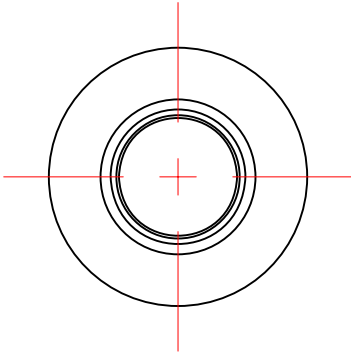


REV.	DESCRIPTION	NAME	DATE
-			



Printable Area

Material	Alu	P/No.						
General Tolerance		P/N	150ml Alu Bottle	D/No.		Date	2019-11-29	
X. ± 0.25	X.* ± 0.5°	Checked	-	Unite:	mm	Scale	Page	Version
.X ± 0.2	.X* ± 0.1°	Approved	-	View:		-	1/1	A
.XX ± 0.15	.XX* ± 0.05°	Design	-					
.XXX ± 0.1	.XXX* ± 0.01°							