

REV.	DESCRIPTION	NAME	DATE
-			

A

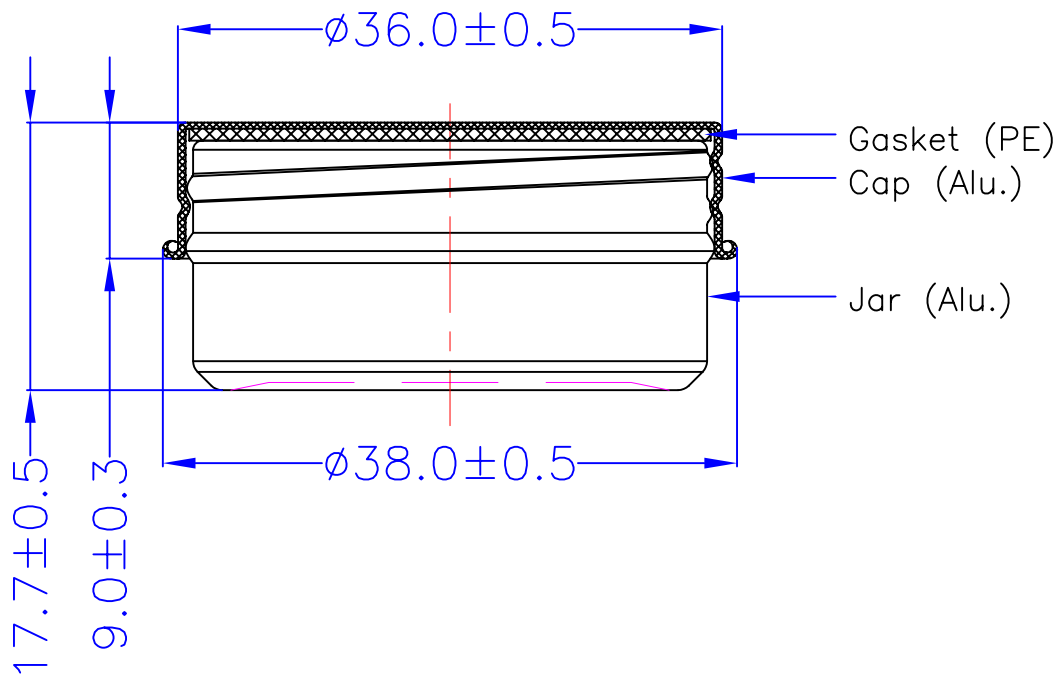
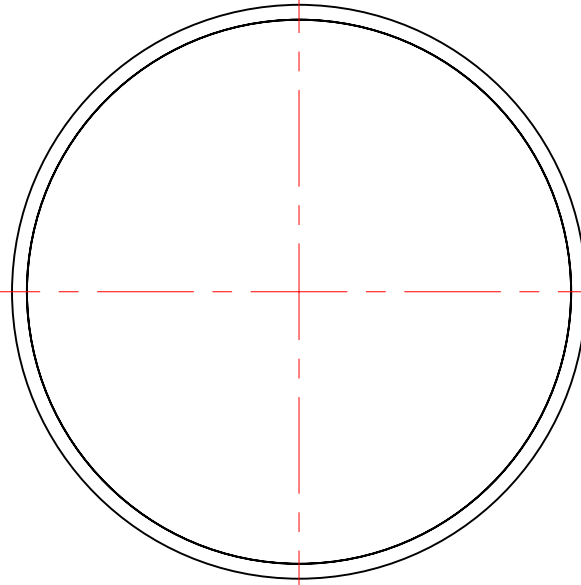
B

C

D

E

F



Material		P/No.				
General Tolerance		P/N	10g Alu jar			
$X \pm 0.25$	$X' \pm 0.5'$	Checked	—	D/No.	Date	2022-3-14
$.X \pm 0.2$	$.X' \pm 0.1'$	Approved	—	Unite: mm	Scale	Page
$.XX \pm 0.15$	$.XX' \pm 0.05'$	Design	—	View:	—	1/1
$.XXX \pm 0.1$	$.XXX' \pm 0.01'$					A

1

2

3

4