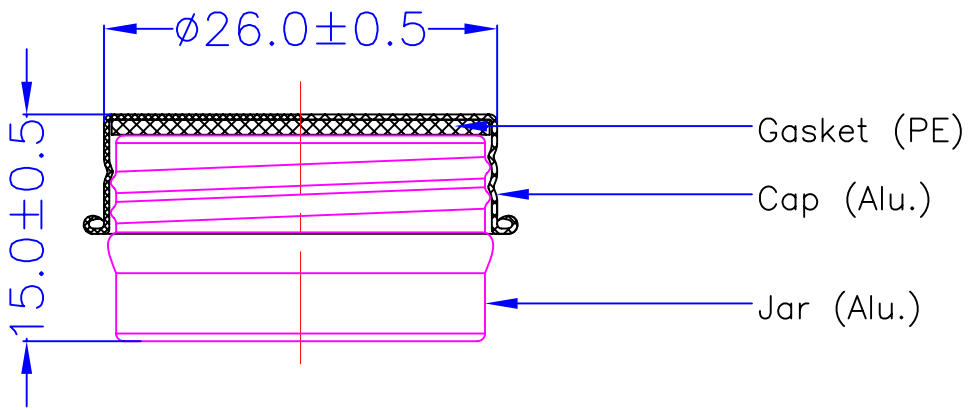
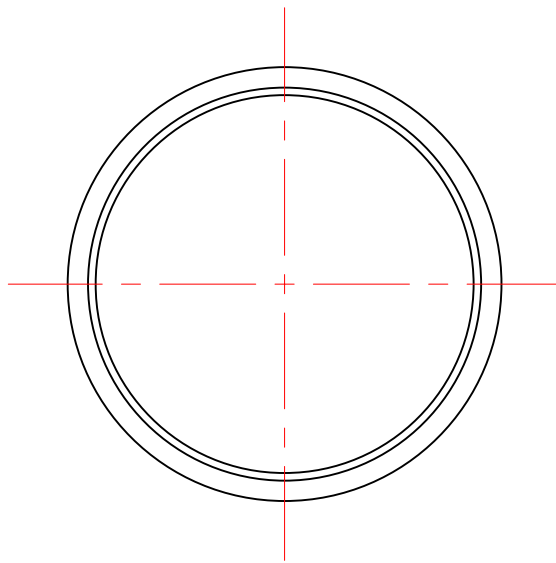


REV.	DESCRIPTION	NAME	DATE
-			



Material		P/No.	TJ1001-5				
General Tolerance		P/N	5g Alu. Jar				
X. ± 0.25	X.* $\pm 0.5^*$	Checked	—	D/No.	Date	2021-11-25	
.X ± 0.2	.X* $\pm 0.1^*$	Approved	—	Unite: mm	Scale	Page	Version
.XX ± 0.15	.XX* $\pm 0.05^*$	Design	—	View:	—	1/1	A
.XXX ± 0.1	.XXX* $\pm 0.01^*$						