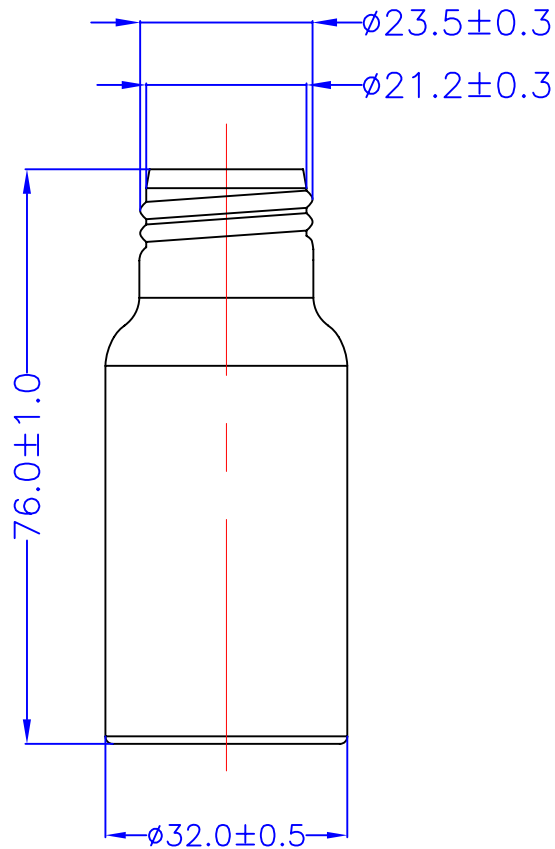
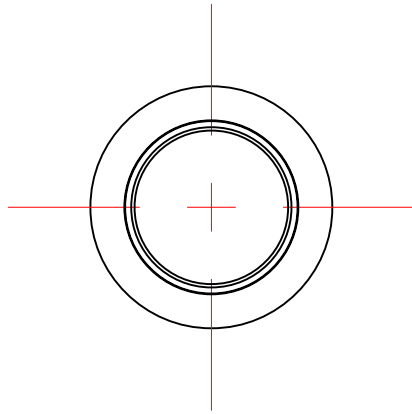


REV.	DESCRIPTION	NAME	DATE
-			



Material		P/No.	AJ1014-30				
General Tolerance		P/N	30ml ALU Bottle				
X. ± 0.25	X.* $\pm 0.5^{\circ}$	Checked	--	D/No.	Date	2021-10-26	
.X ± 0.2	.X* $\pm 0.1^{\circ}$	Approved	--	Unite: mm	Scale	Page	Version
.XX ± 0.15	.XX* $\pm 0.05^{\circ}$	Design	--	View:	--	1/1	A
.XXX ± 0.1	.XXX* $\pm 0.01^{\circ}$						