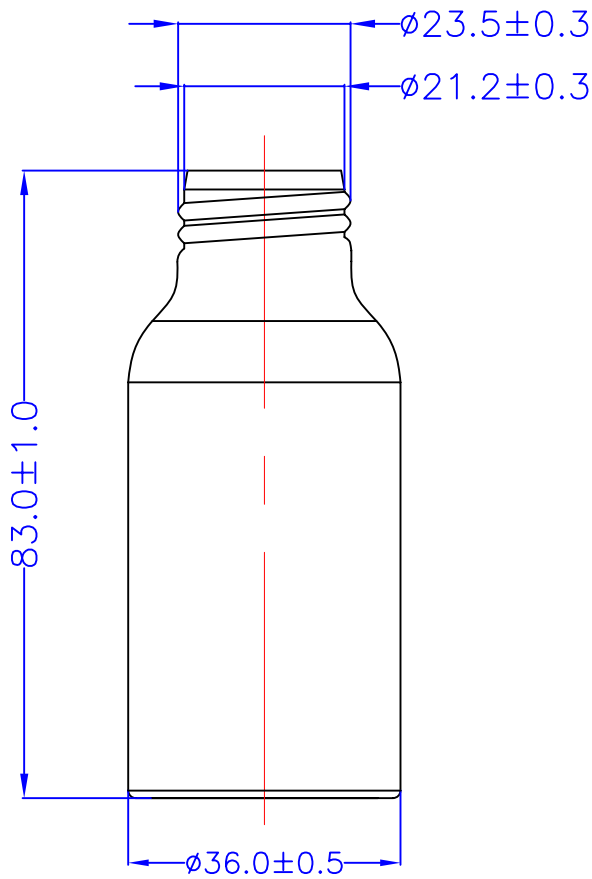
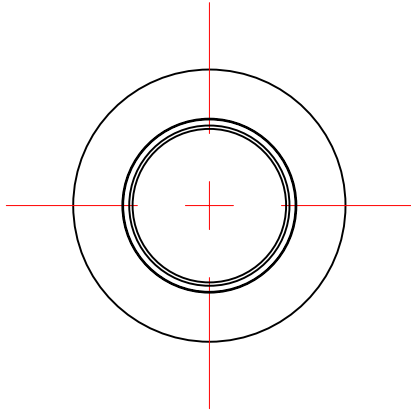


REV.	DESCRIPTION	NAME	DATE
-			



Material		P/No.	AJ1002-50				
General Tolerance		P/N	50ml ALU Bottle				
X. ±0.25	X.* ± 0.5'	Checked	-	D/No.	Date	2021-6-11	
.X± 0.2	.X* ± 0.1'	Approved	-	Unite: mm	Scale	Page	Version
.XX± 0.15	.XX* ± 0.05'	Design	-	View:	-	1/1	A
.XXX± 0.1	.XXX* ± 0.01'						