

REV.	DESCRIPTION	NAME	DATE
-			

A

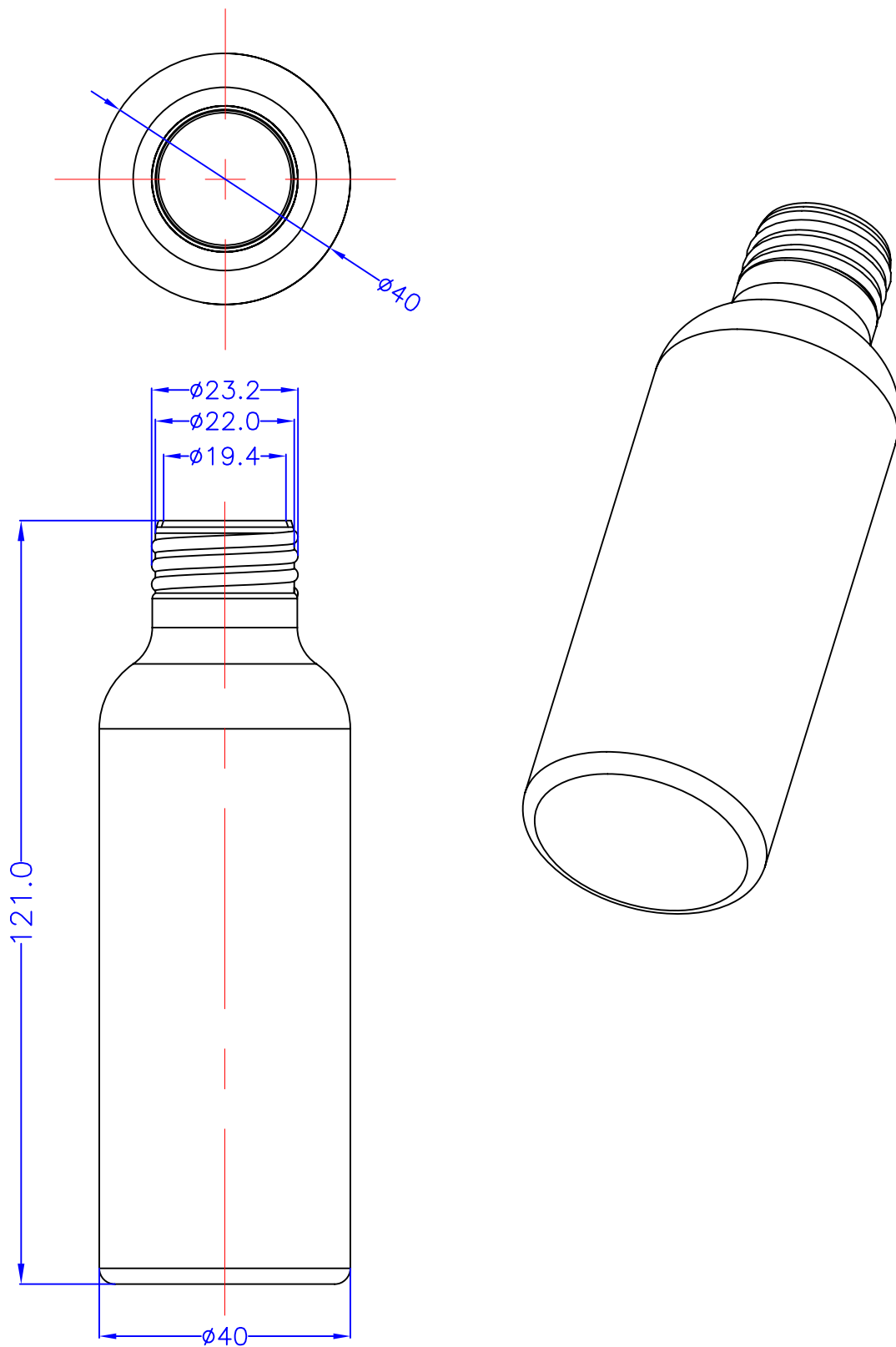
B

C

D

E

F



A

B

C

D

E

F

Material		P/No.	AJ1002-100					
General Tolerance		P/N	100ml ALU Bottle					
X. ± 0.25	X.' ± 0.5'	Checked	—	D/No.		Date	2015-7-6	
.X ± 0.2	.X' ± 0.1'	Approved	—	Unite:	mm	Scale	Page	Version
.XX ± 0.15	.XX' ± 0.05'	Design	—	View:		—	1/1	A
.XXX ± 0.1	.XXX' ± 0.01'							

1

2

3

4