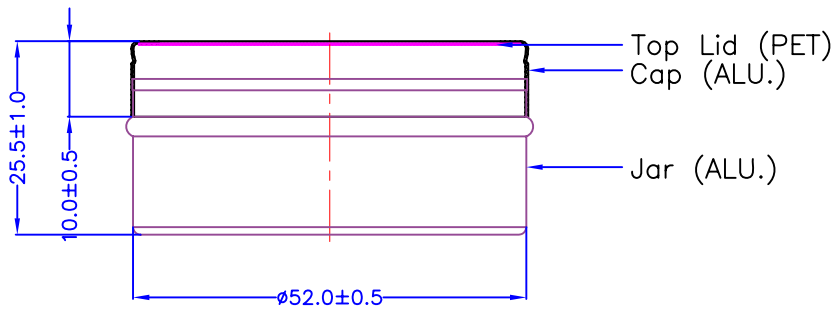
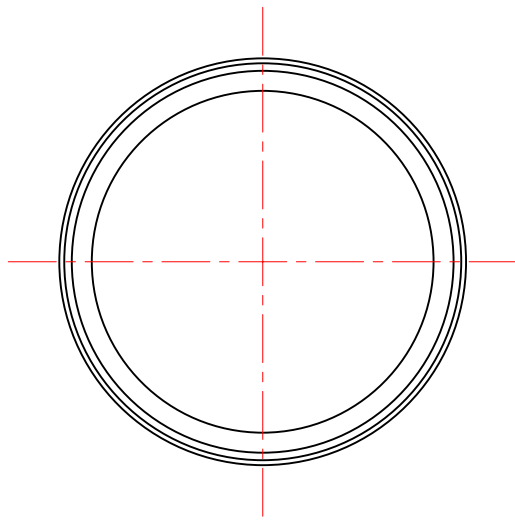


REV.	DESCRIPTION	NAME	DATE
-			



Material		P/No.					
General Tolerance		P/N	40ml aluminum can				
X. ± 0.25	X.* ± 0.5*	Checked	—	D/No.	Date	2017-5-2	
.X ± 0.2	.X* ± 0.1*	Approved	—	Unite: mm	Scale	Page	Version
.XX ± 0.15	.XX* ± 0.05*	Design	—	View:	—	1/1	A
.XXX ± 0.1	.XXX* ± 0.01*						